

A GUIDE FOR SPECIFYING MINIMA SLIDING DOORS

minima
SLIDING

minimasliding.co.uk



Contents

Fundamentals

Visuals

Drainage & Waterproofing

Finishing Details

minima
SLIDING

Fundamentals



Fundamentals

Thermal Performance

Standard Double Glazing

| | Toughened | Laminated |
|--------------------------------|------------------|------------------|
| Ug-Value (W/m ² .K) | 1.2 | 1.2 |
| Light Transmission | 79 | 76 |
| Solar Factor (g) | 66 | 60 |

Solar Double Glazing

| | Toughened | Laminated |
|--------------------------------|------------------|------------------|
| Ug-Value (W/m ² .K) | 1.1 | 1.0 |
| Light Transmission | 70 | 69 |
| Solar Factor (g) | 38 | 38 |

Standard Triple Glazing

| | Toughened | Laminated |
|--------------------------------|------------------|------------------|
| Ug-Value (W/m ² .K) | 0.7 | 0.7 |
| Light Transmission | 62 | 62 |
| Solar Factor (g) | 42 | 42 |

Solar Triple Glazing

| | Toughened | Laminated |
|--------------------------------|------------------|------------------|
| Ug-Value (W/m ² .K) | 0.6 | 0.6 |
| Light Transmission | 62 | 62 |
| Solar Factor (g) | 31 | 31 |

As with any frameless sliding door system, trickle vents are not available.

Fundamentals

minima
SLIDING

Specification

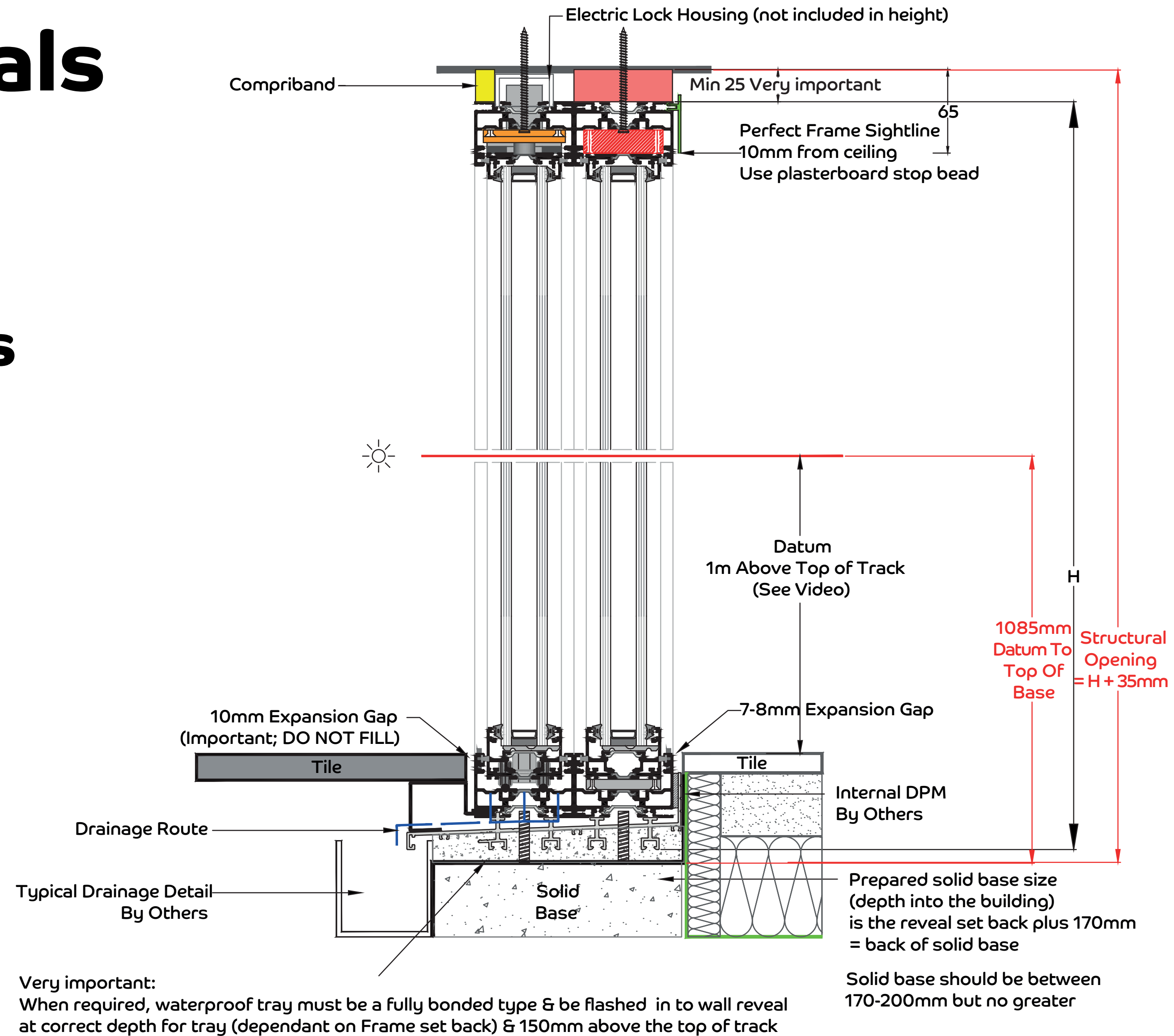
| | Double Glazing | Triple Glazing |
|-----------------------------|--|--|
| Maximum panel width | 4200mm | 2700mm |
| Maximum panel height | 3200mm | 3200mm |
| Maximum panel size | 9m ² | 5.4m ² |
| Maximum panel weight | 340kg | 225kg |
| Visible frame size | 20mm top, bottom & sides | 20mm top, bottom & sides |
| Runner mechanism | Stainless steel | Stainless steel |
| Glass unit thickness | 36mm (6mm/8mm glass) | 46mm (6mm/8mm glass) |
| Sound insulation | Rw,p 33 db – 42 db | Rw,p 33 db – 42 db |
| Water tightness | 9A (EN 12208 / EN 1027) | 9A (EN 12208 / EN 1027) |
| Air permeability | C4 (EN 12207 / EN 12211) | C4 (EN 12207 / EN 12211) |
| Wind loading | C3 (EN 12210 / EN 1627) | C3 (EN 12210 / EN 1627) |
| Security rating | PAS 24 compliant (Max 7.5 m ²) | PAS 24 compliant (Max 5.4 m ²) |

As with any frameless sliding door system, trickle vents are not available.

Fundamentals

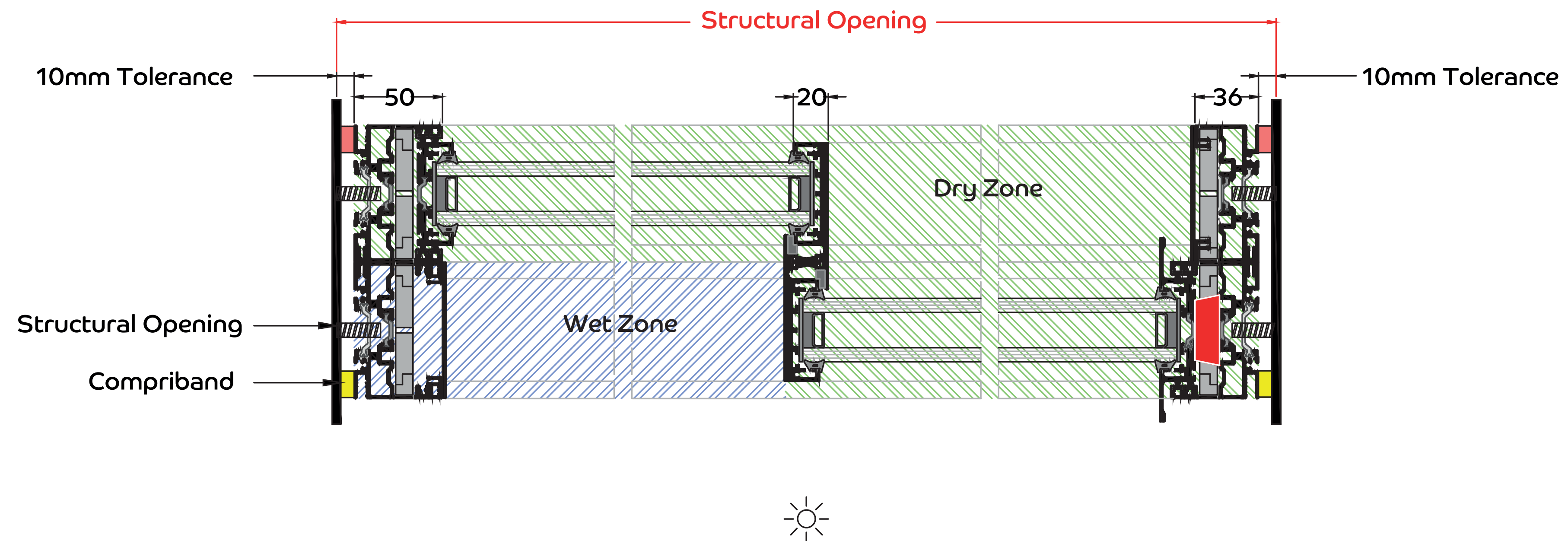
2 Track Technical Details

minima
SLIDING



Fundamentals

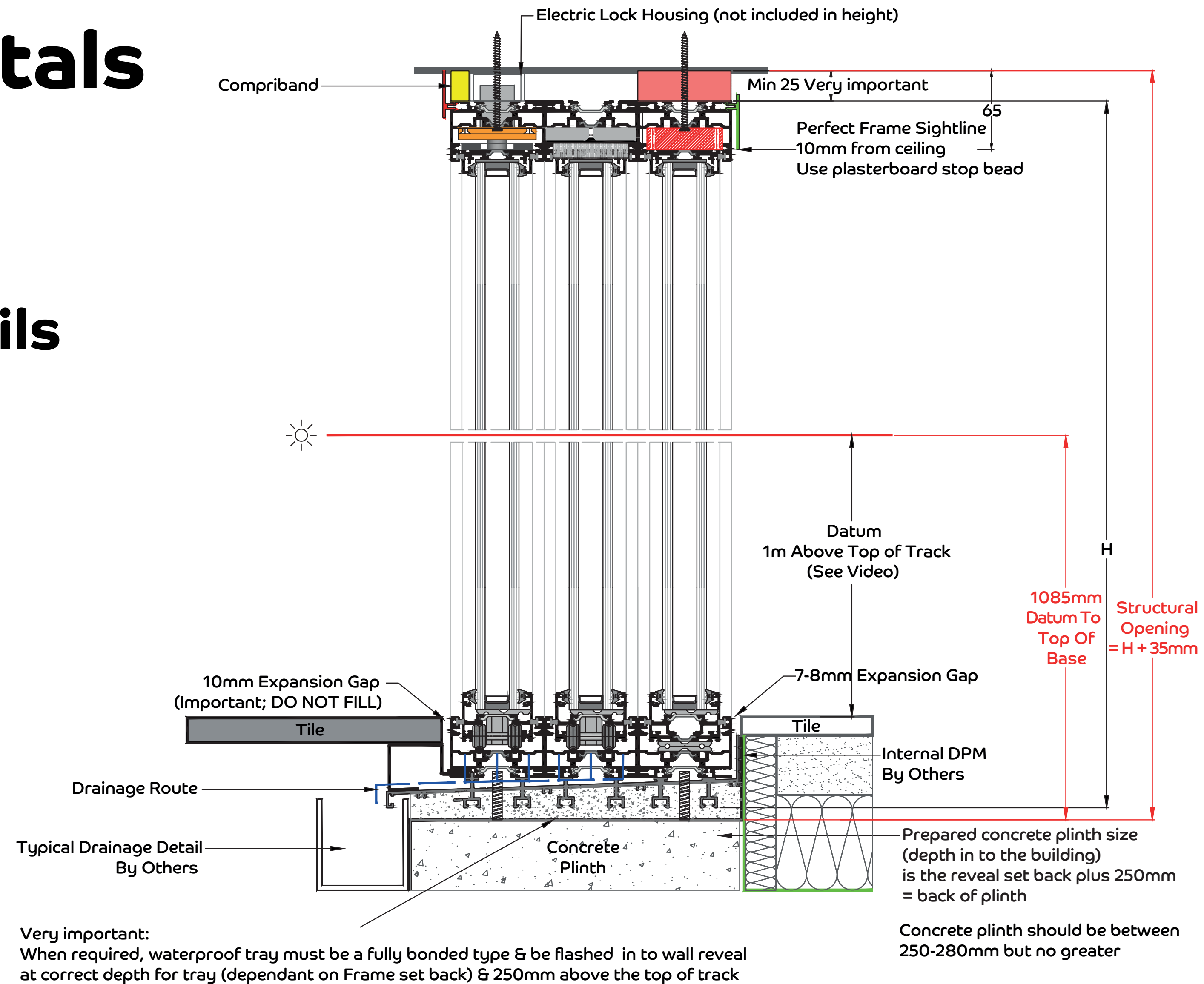
2 Track Technical Details



Fundamentals

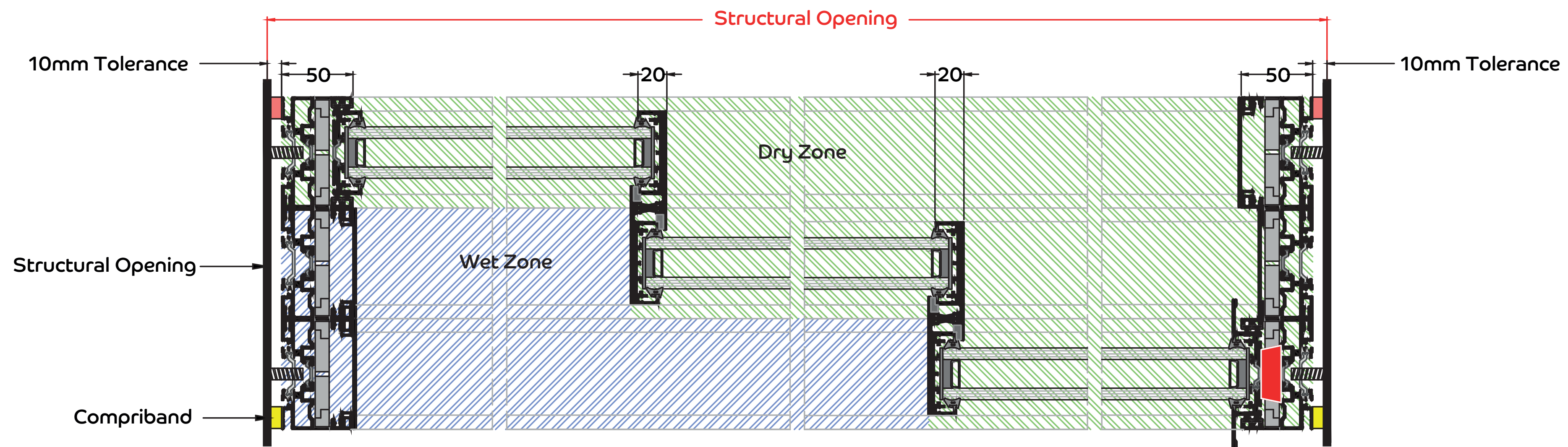
3 Track Technical Details

minima
SLIDING



Fundamentals

3 Track Technical Details

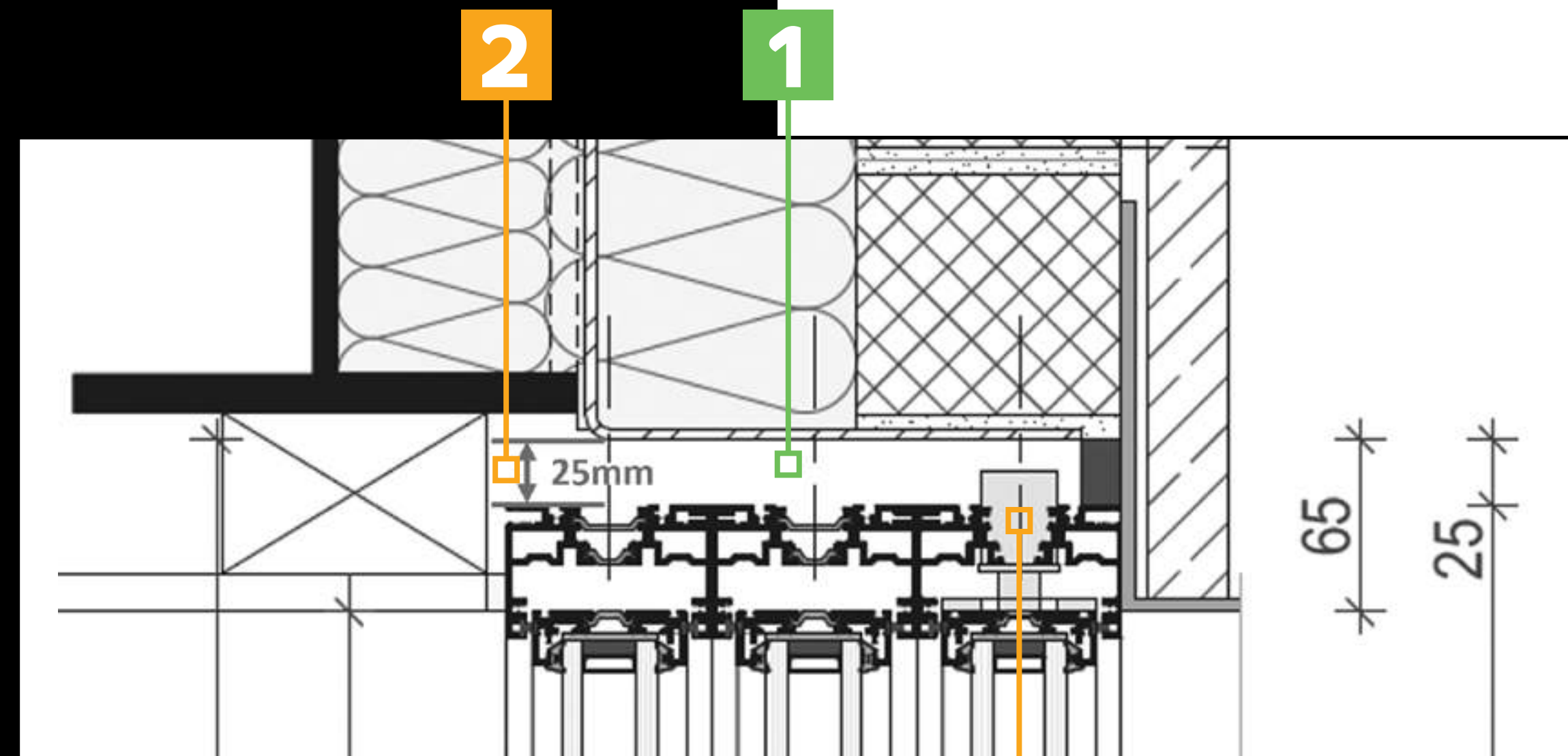


Fundamentals

minima
SLIDING

Guideline

1 Always 25mm tolerance gap at head.



Explanation

In order to achieve such slim frames, our frame encapsulates our sashes, meaning that when we install the glass, we have to bow the head frame, which is why the 25mm gap is required. Also, the housing for our electric lock protrudes 16mm above the head of our frame.

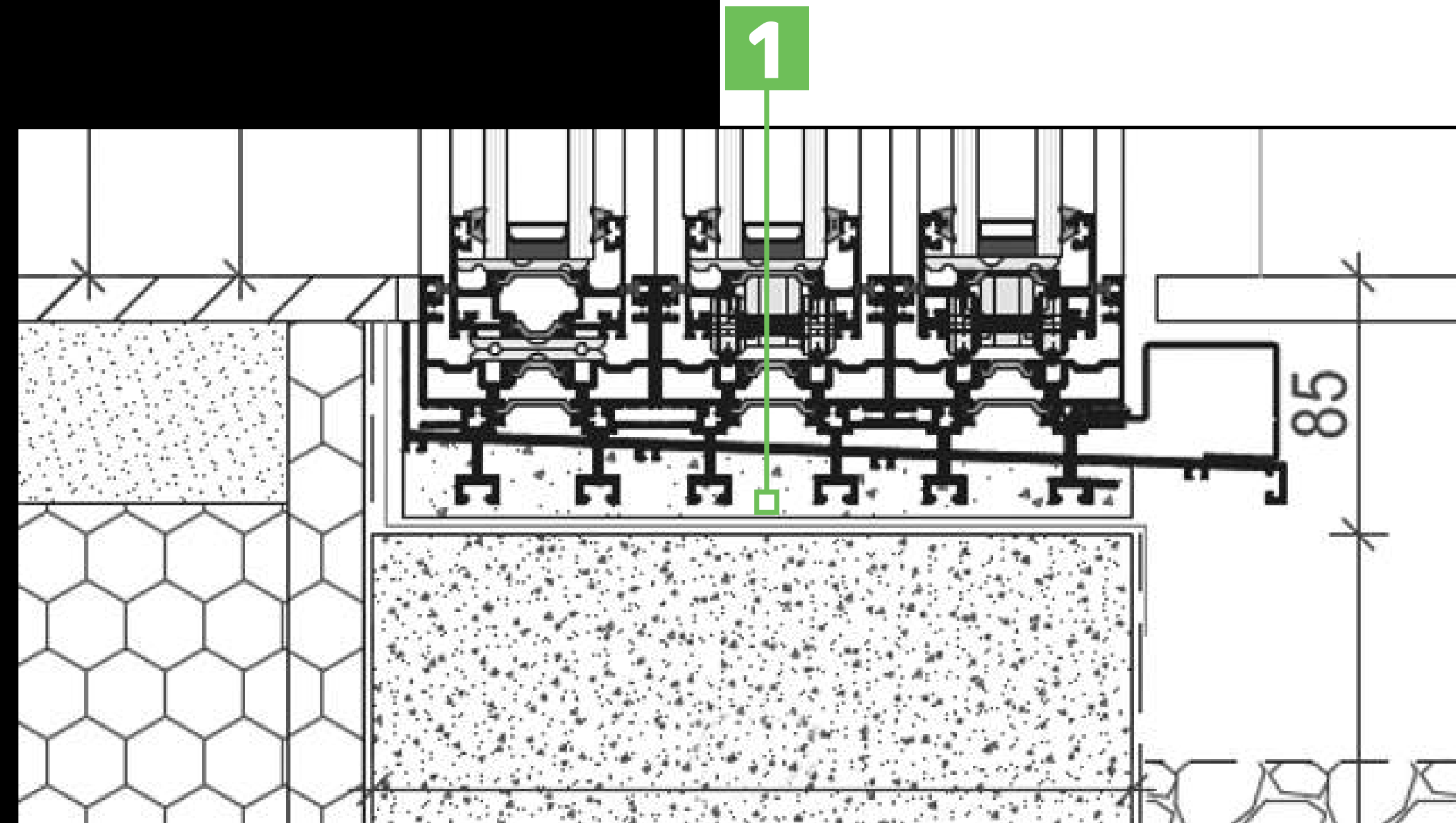
Please note we carry out the survey once the head steel is fully loaded and deflected and we take our height measurements from the smallest point of the opening, which is usually at the centre where the steel has deflected most. This means the gap at either end the 25mm could become 30-35mm.

- 2** The 25mm gap is measured from these points.
- 3** Please note, this light grey block is just our electric lock housing and can be ignored for sizing/tolerance purposes.

Fundamentals

Guideline

1 Always 10mm packing and levelling gap under track.



minima
SLIDING

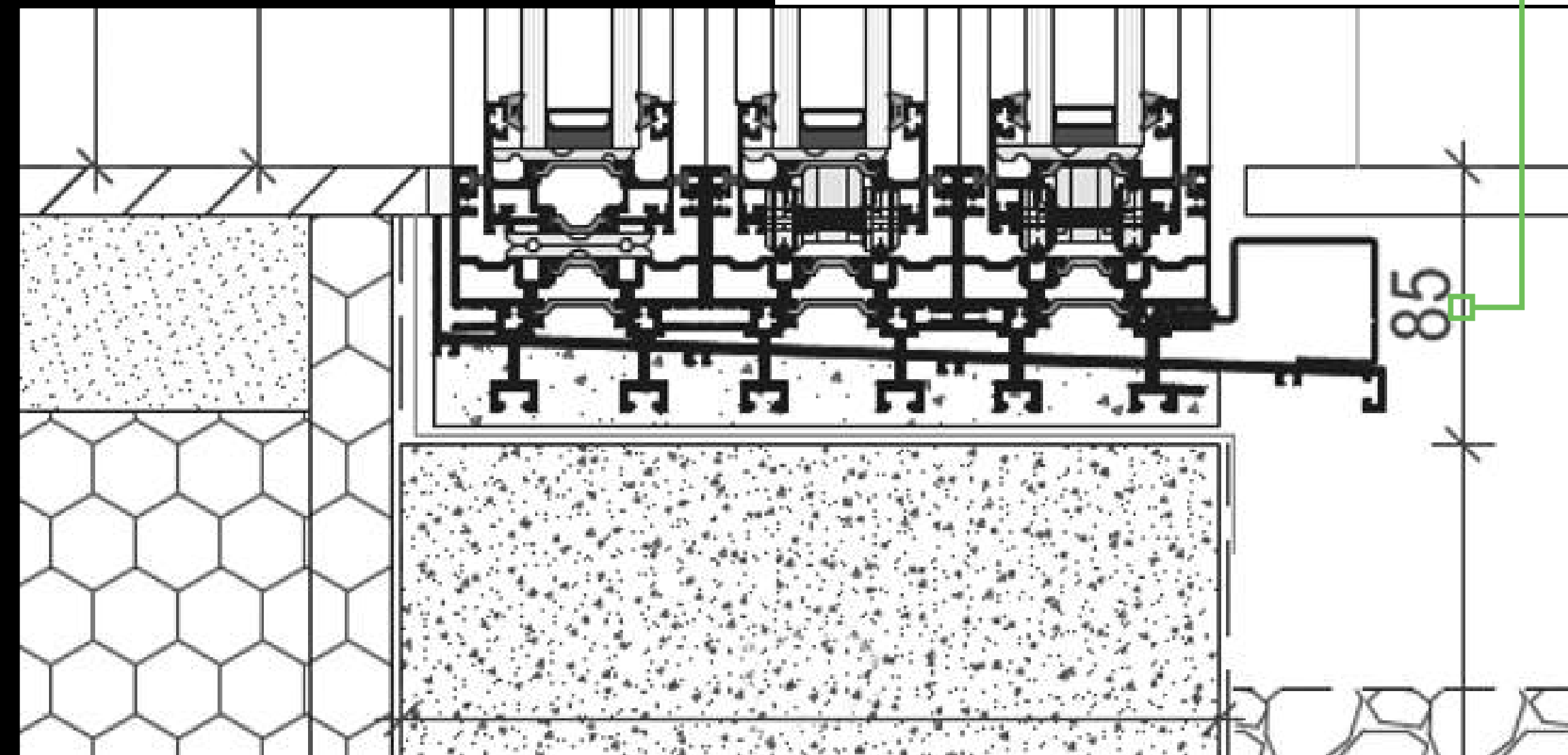
Explanation

We need a 10mm gap at the base because we install packers to level and a mortar mix to bed our door track onto your structural base, which can be made from concrete or blocks.

Fundamentals

Guideline

1 To achieve a flush track level, the top of your structural base should be 85mm below final finished floor level (not from screed level).



minima
SLIDING

Explanation

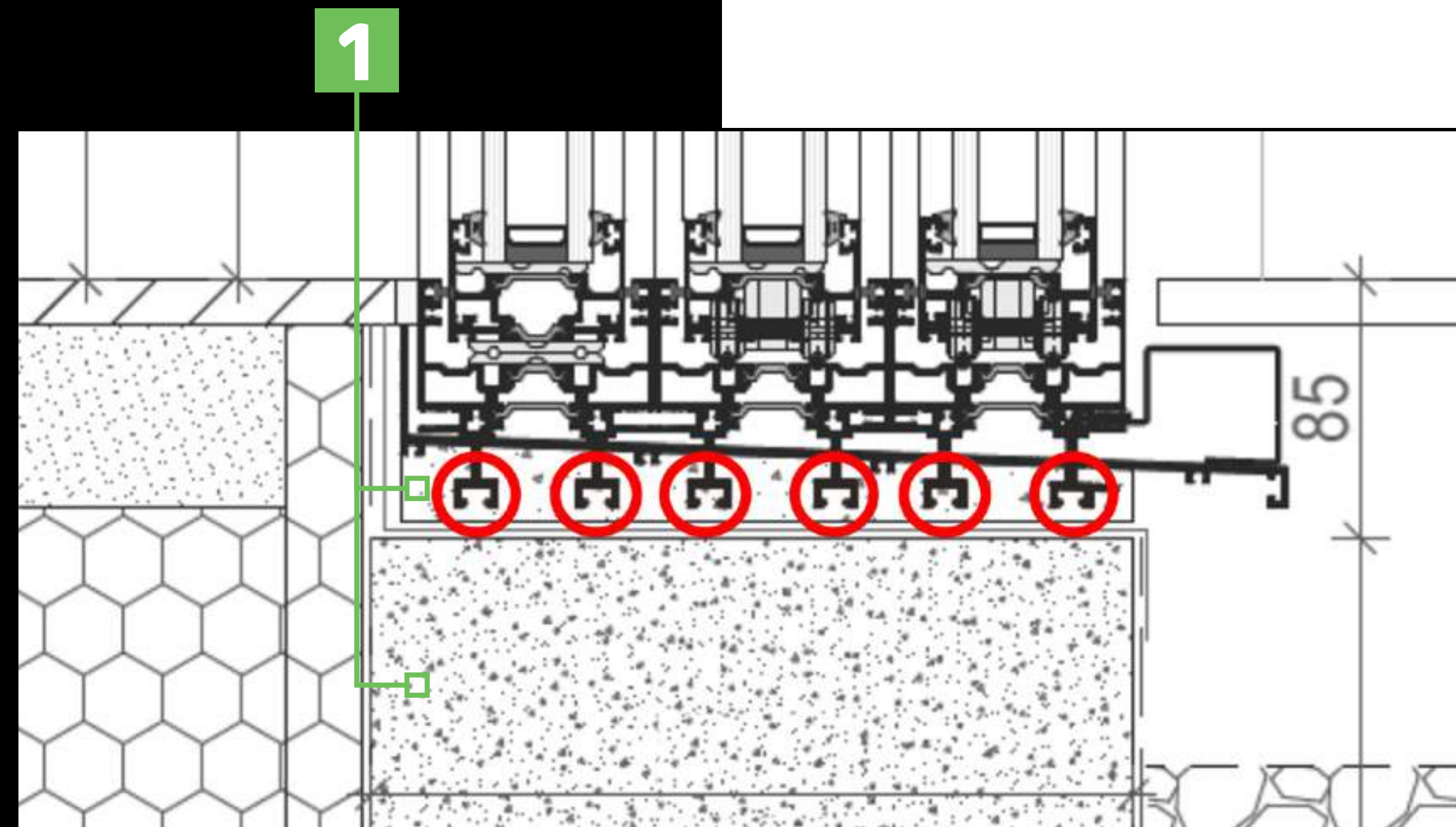
The 75mm track height plus the 10mm gap equals 85mm.

Fundamentals

Guideline

1 Our track needs to be fully supported by your structural base, which can be formed from concrete or blocks.

Feet marked in red circles.



minima
SLIDING

Explanation

Our track depths are;

Single track – 77mm

Double track – 155mm

Triple track – 232mm

Quad track – 307mm

In some cases, the front of our frame may be setback ('reveal setback') anything from 0-50mm from the front of the structural base. This reveal setback dimension should be added onto our track depth dimension.

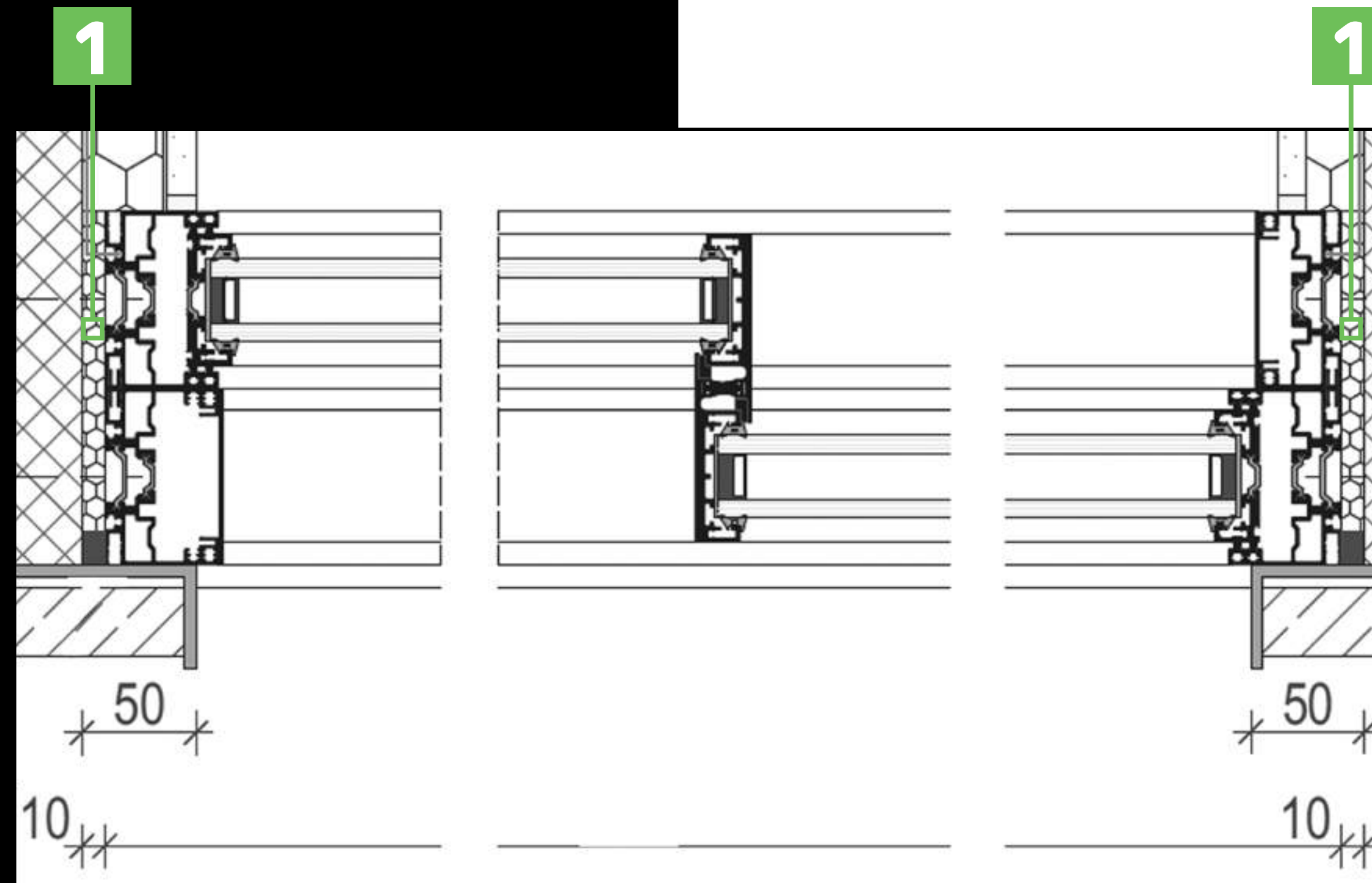
E.g. Double track door with a reveal setback of 30mm would mean the structural base needs a depth of at least $155\text{mm} + 30\text{mm} = 185\text{mm}$.

Fundamentals

minima
SLIDING

Guideline

1 Always 10mm tolerance gap at each jamb between our frame and side structure.



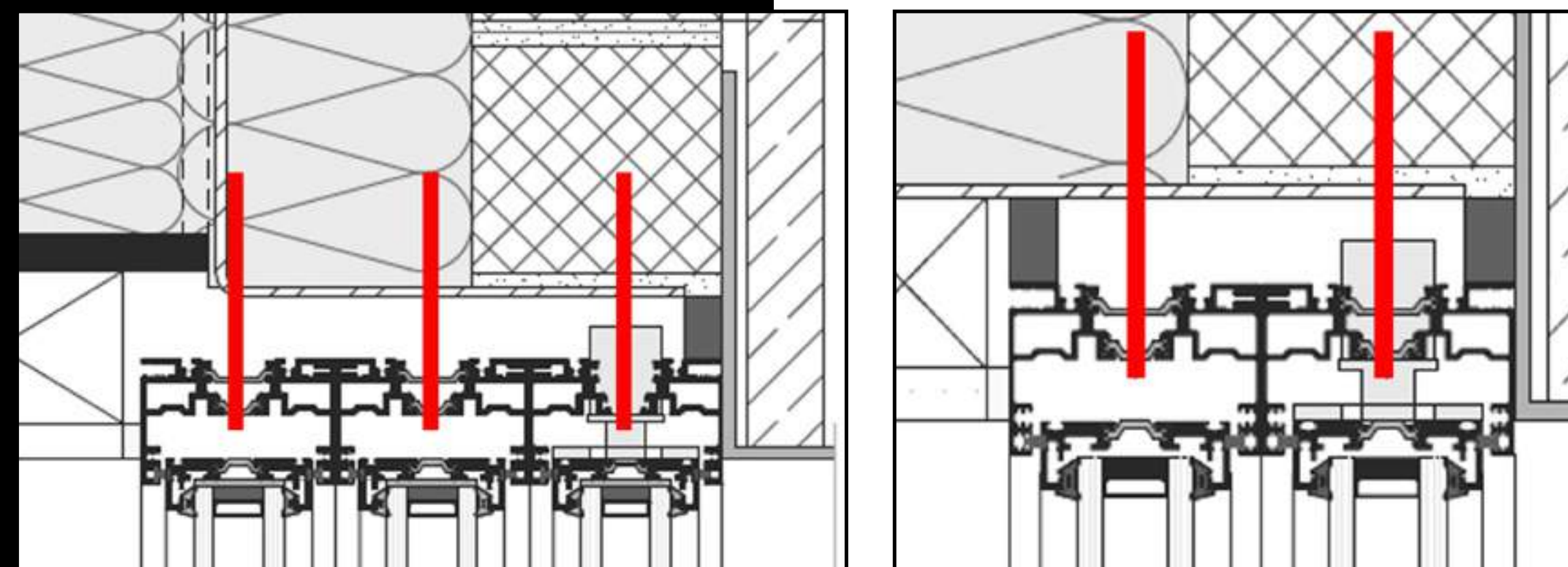
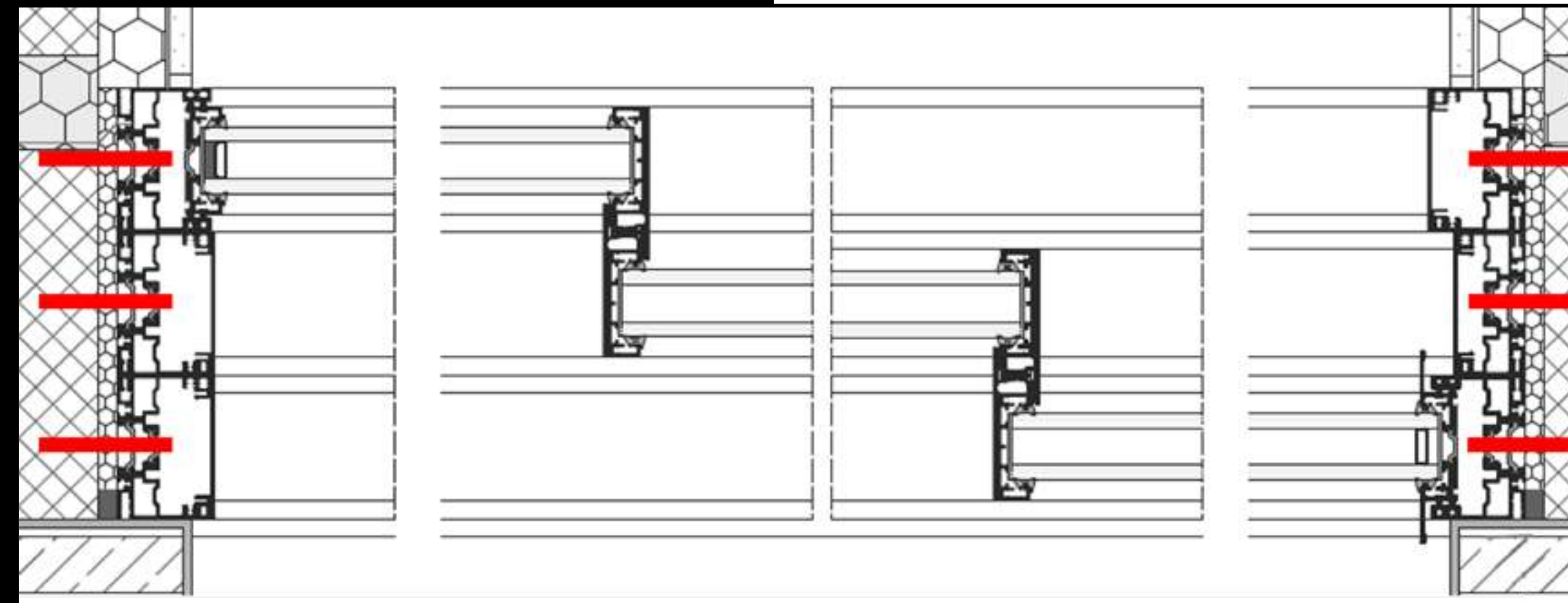
Explanation

This is a standard installation tolerance, and is useful when side structures are not 100% level.

Fundamentals

Guideline

We need something solid (steel/timber/concrete) to directly fix into through all tracks on head and jambs.



minima
SLIDING

Explanation

For the doors to be as stable as possible, we ideally need a direct fixing through all tracks at head and jambs into something solid, ranging from single track all the way up to quad track.

Fixings denoted by red lines.

Fundamentals

Guideline

Pocket doors require a cavity of track depth plus 30mm.



minima
SLIDING

Explanation

Our track depths are;

Single track – 77mm

Double track – 155mm

Triple track – 232mm

Quad track – 307mm

Therefore, pocket depths required are;

Single track – 107mm

Double track – 185mm

Triple track – 262mm

Quad track – 337mm

The 50mm nosing of our drainage tray can be cut down for the section of the door track that is in the pocket.

Our door track still drains into the pocket so it is crucial that a waterproof tray is installed in the pocket, lapping up on all sides by 100-150mm.

minima
SLIDING

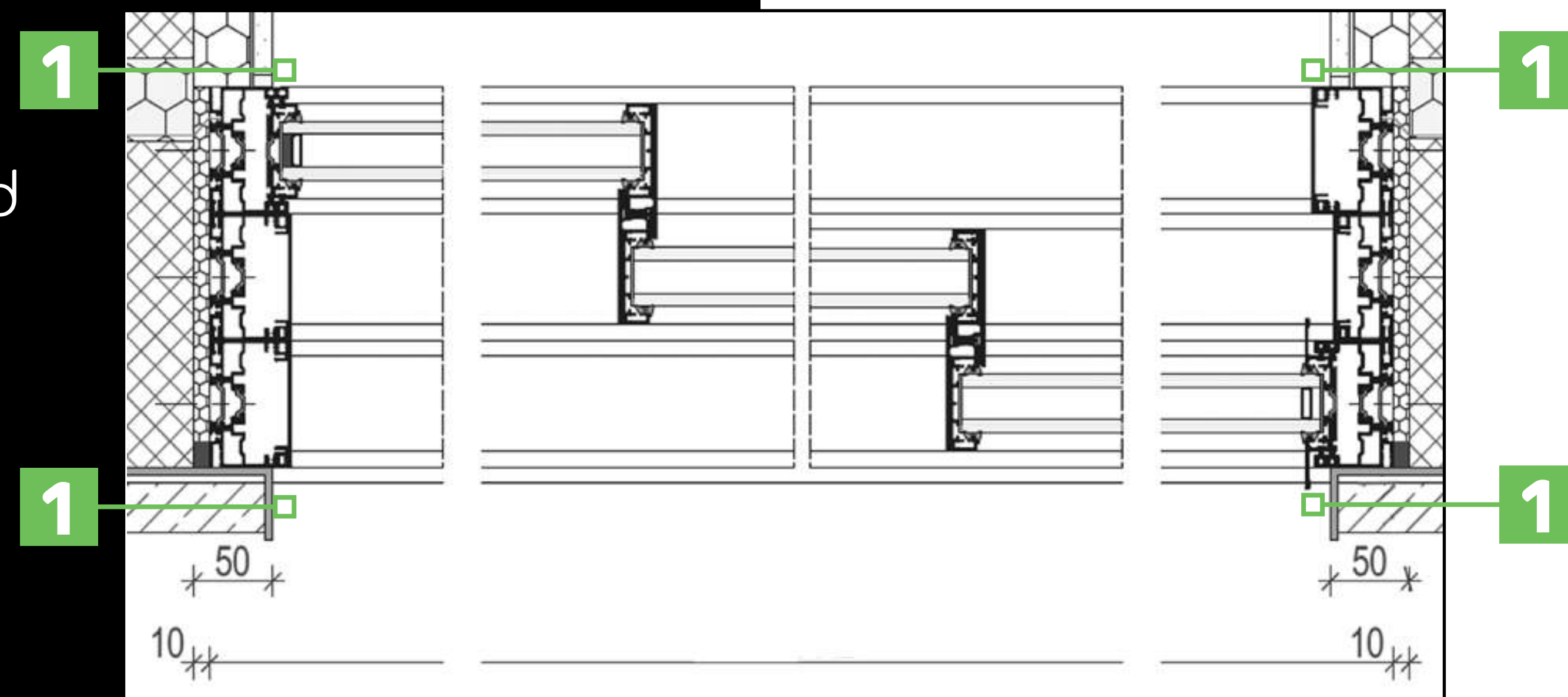
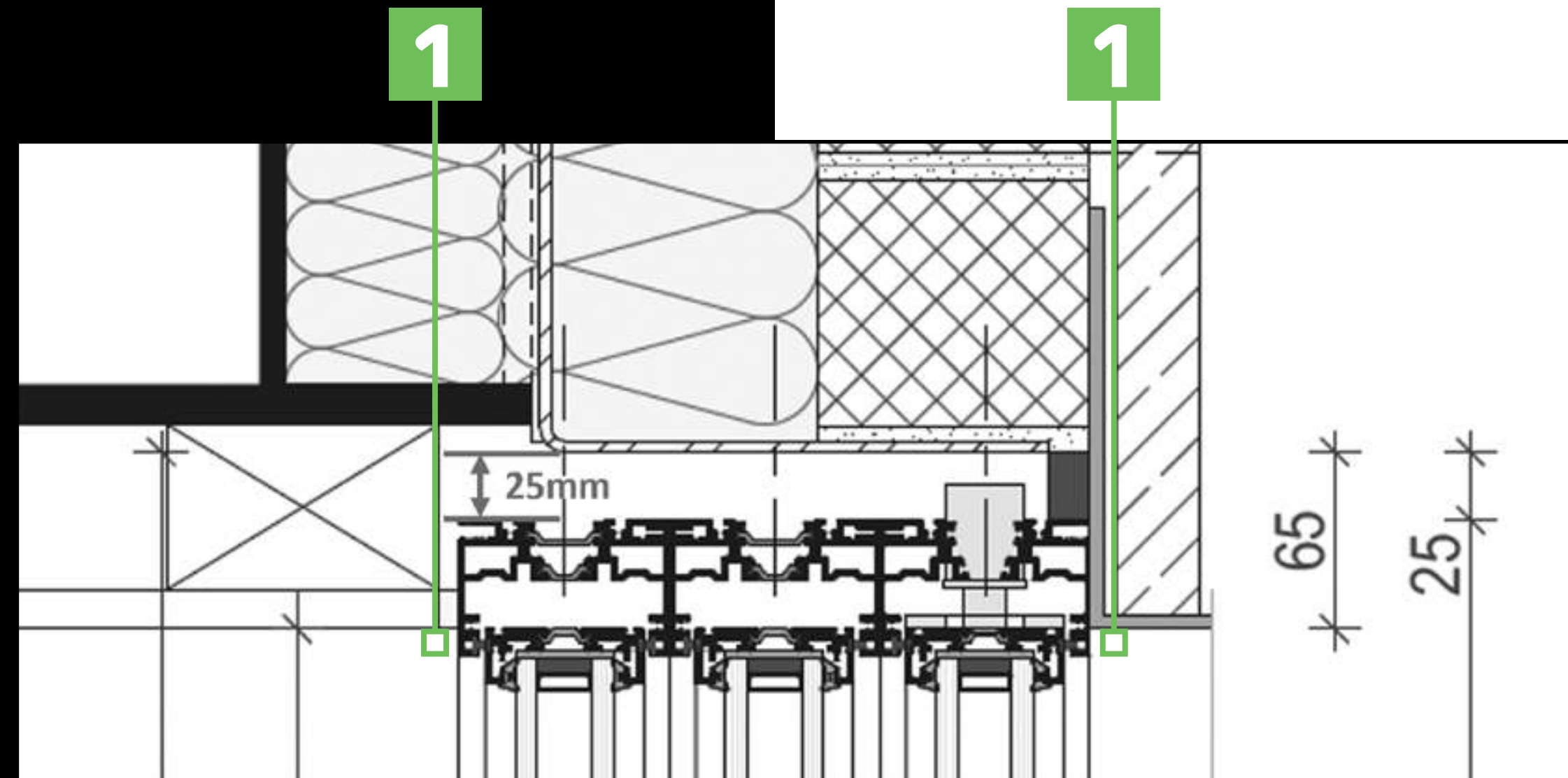
Visuals



Visuals

Guideline

1 To achieve the perfect 20mm visible sightline we recommend you cover 40mm of our 50mm frame at head and jambs, leaving 10mm of frame visible.



minima
SLIDING

Explanation

This 10mm of visible frame combines with the 10mm of aluminium that is attached to the glass to match the 20mm vertical interlocks, creating the perfect 20mm sightline.

1 For the head, this means ceiling & soffit line is 65mm below underside of steel (because we have a 25mm tolerance at head combined with our 50mm head frame).

For the jambs, this means the reveal line is 50mm in from the structural opening (because we have a 10mm tolerance and a 50mm frame at each jamb).

1

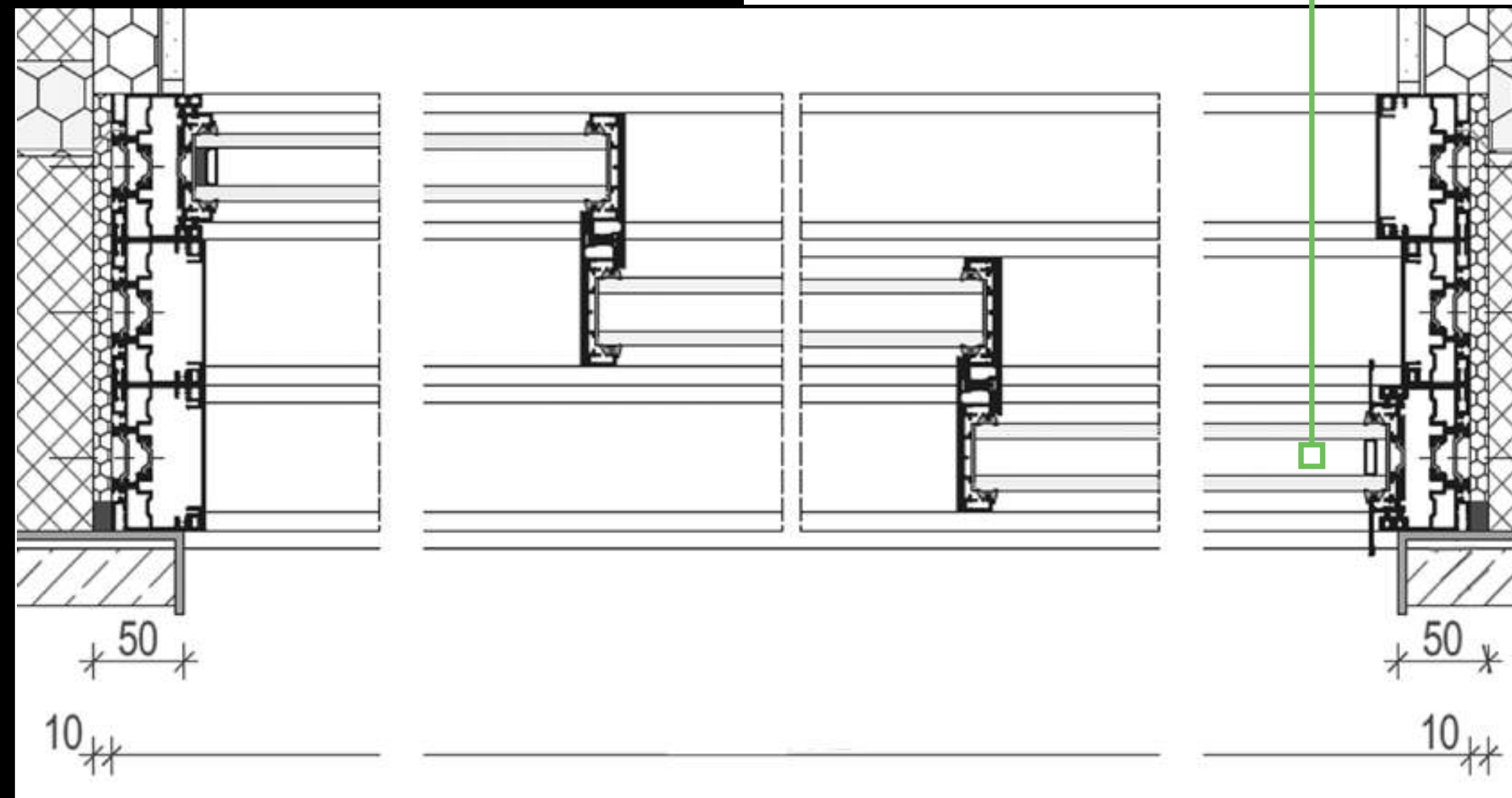
Visuals

Guideline

1 The moving panel is generally on the outside track. Please don't adapt our DWG file, request correct one.



Covered track



minima
SLIDING

Explanation

We choose to do this because with the weather in the UK, the doors are closed most of the year, and our clients are standing inside the doors looking out.

Our configurations that feature a fixed panel at one end enjoy the benefit of track covers, so by putting moving panels on the outside track as standard, it means our clients generally look at covered tracks, as opposed to exposed tracks.



Exposed track

minima
SLIDING

Drainage & Waterproofing

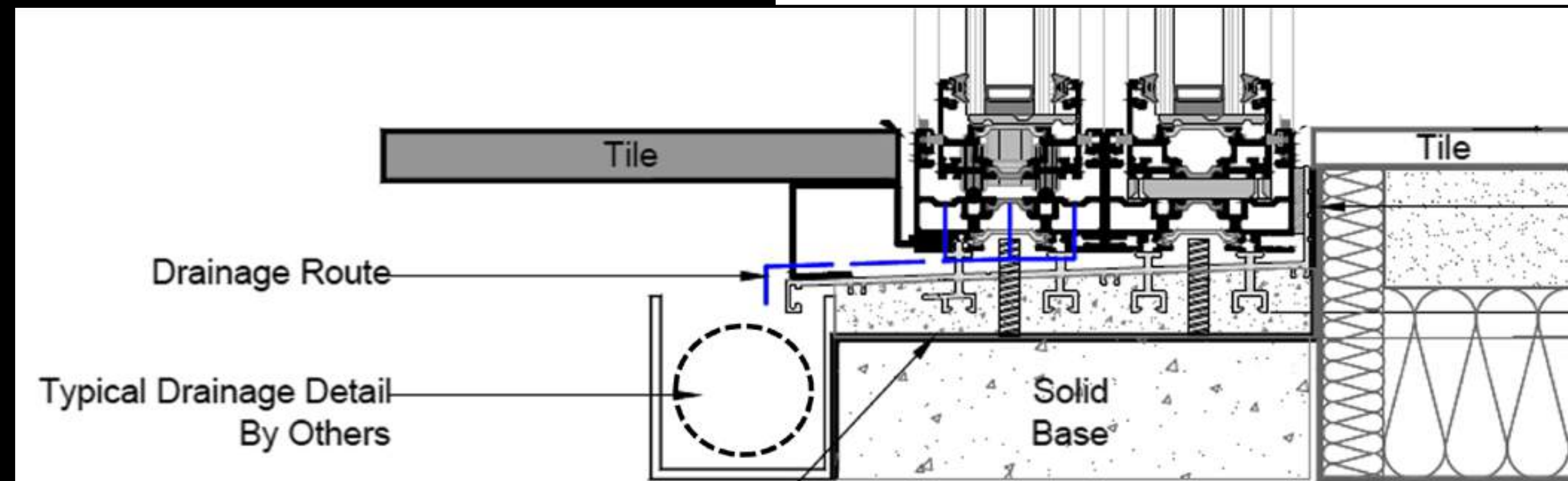


Drainage & Waterproofing

minima
SLIDING

Guideline

Drainage solutions are project-specific and there is no specific 'correct' answer.



Explanation

We do not provide any drainage solutions separate from our doors.

We generally see one of the two following scenarios;

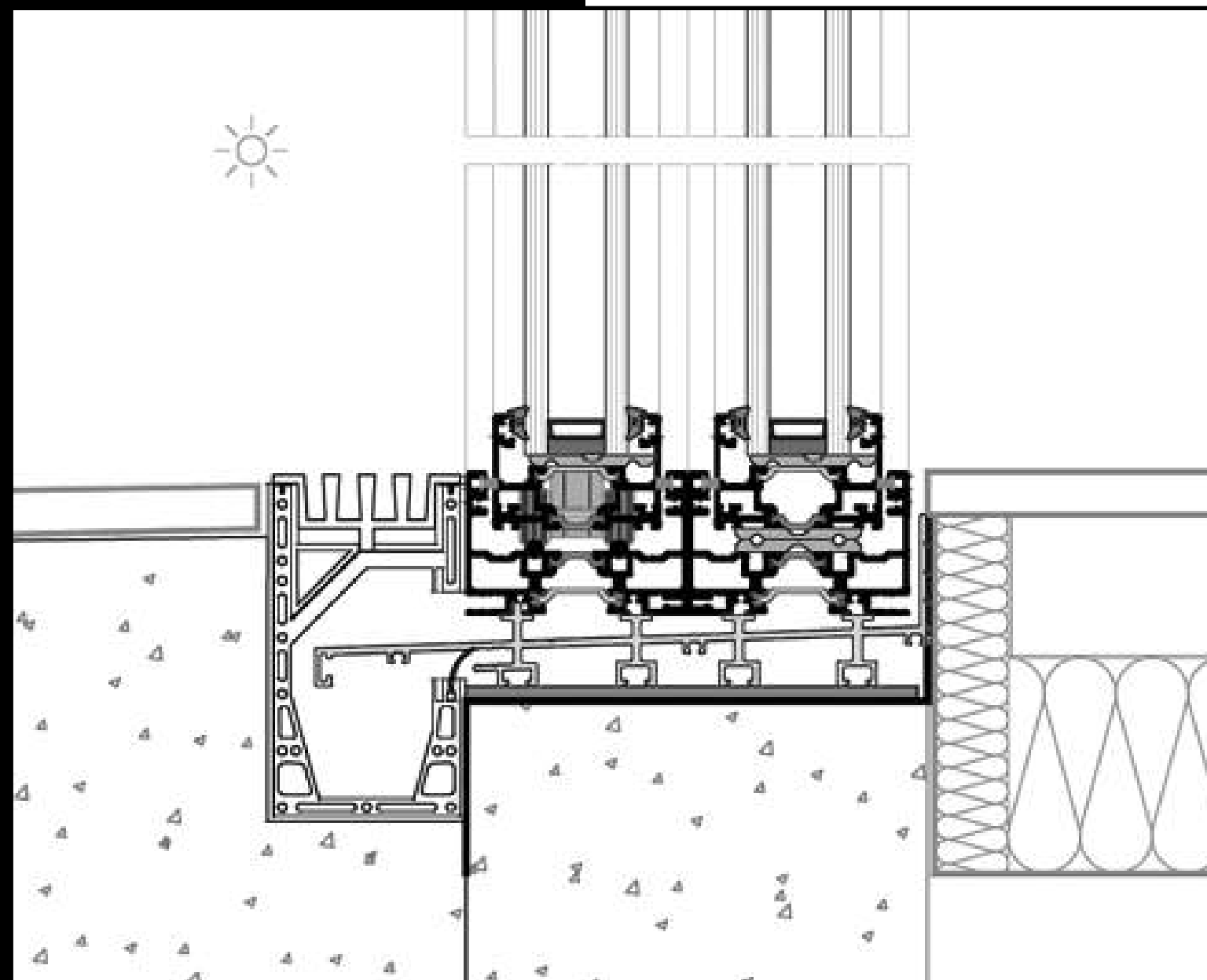
1. No visible surface drain up against the doors. Clients install their finished tile right up to the door frame with a natural soakaway drain, channel or perforated land drain underneath that tile. They may then use an ACO slot drain or channel drain somewhere else on the patio. They may pitch the tile immediately connected to the doors away from the doors.



Drainage & Waterproofing

Guideline

Drainage solutions are project-specific and there is no specific 'correct' answer.



minima
SLIDING

Explanation

2. Alternatively, if deemed necessary, clients install a visible surface drain right up tight against the door track, such as an Aqua Bocci R47 drain.

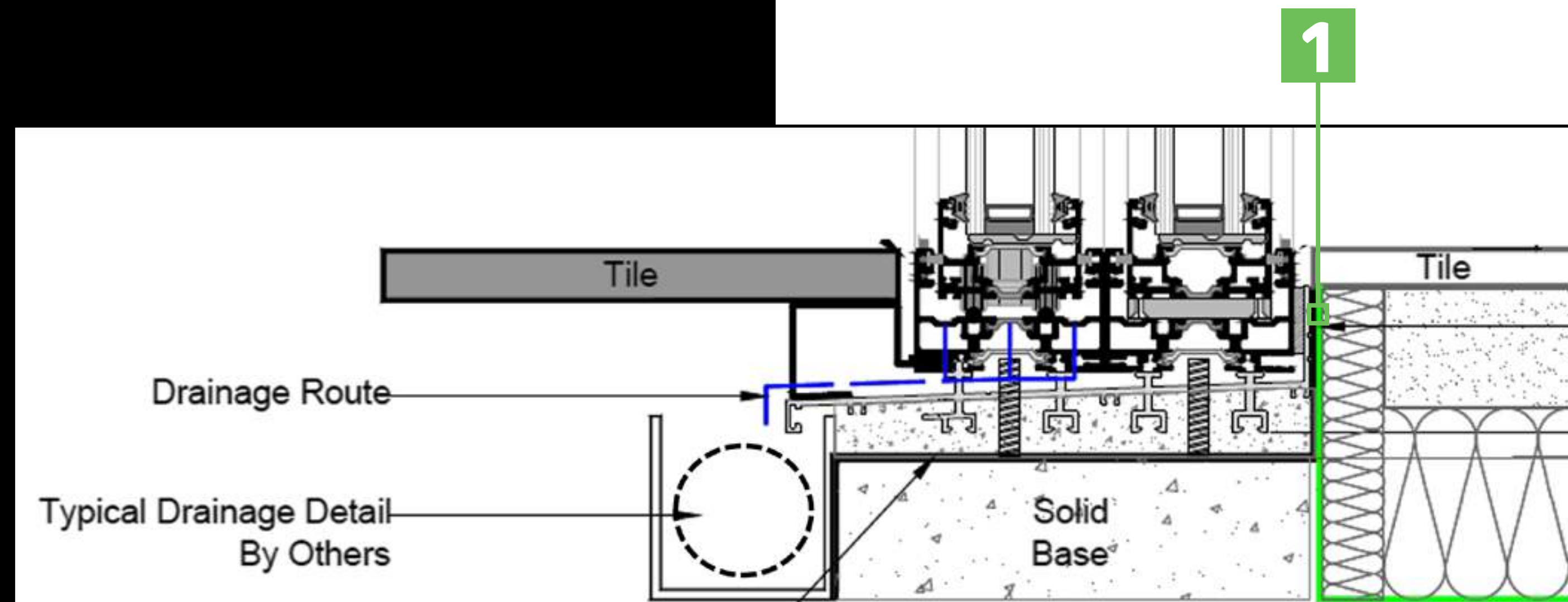
Drainage & Waterproofing

minima
SLIDING

Guideline

1 Internal DPM forms the waterproof barrier.

DPM marked in green.



Explanation

Our doors are designed to be installed as a flush track, which means they sit in a wet zone. Therefore, your internal DPM runs up the inside of our frame and is cut off at the top of our track.

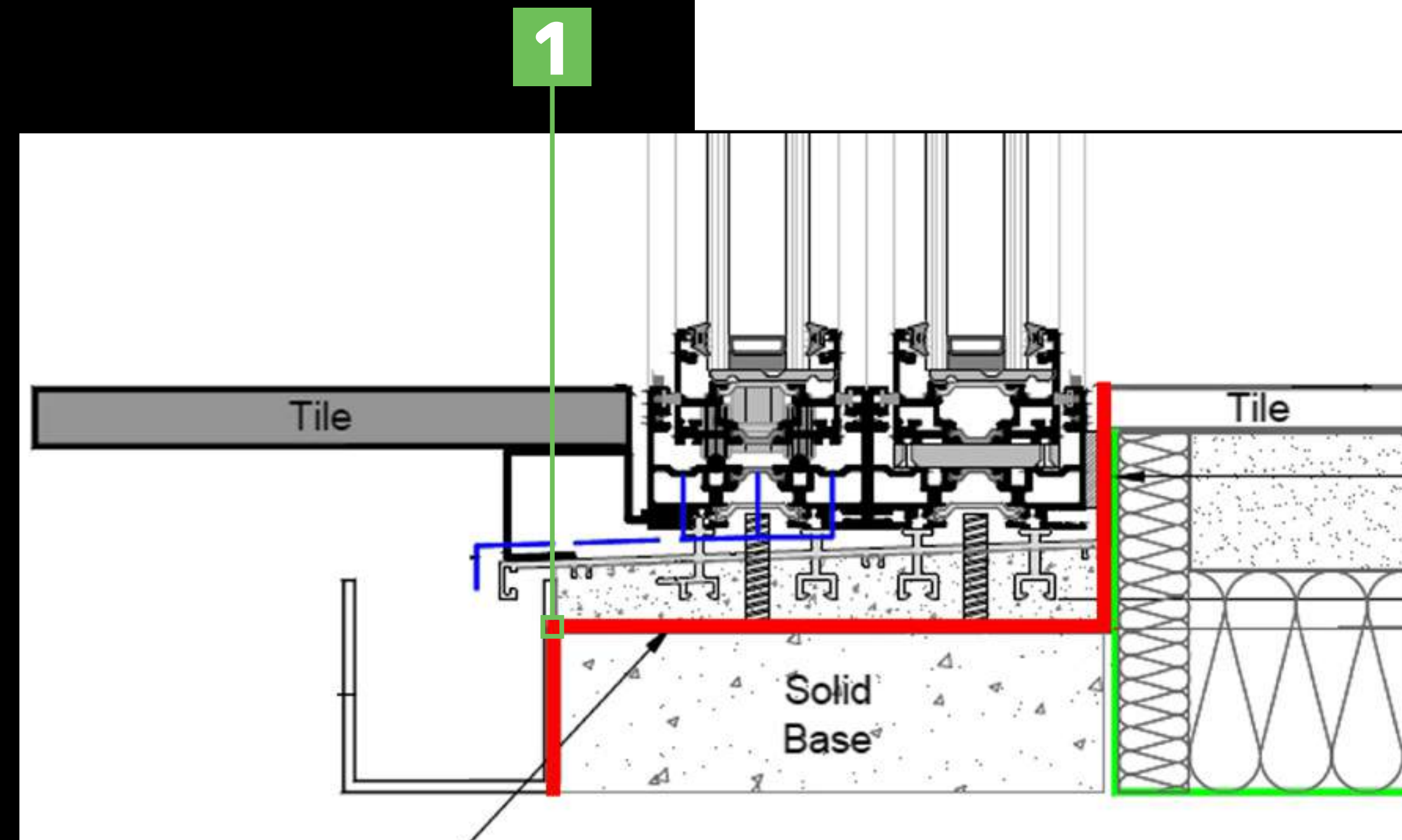
EPDM waterproof tray installation by Minima is available at no extra cost if required.

Drainage route marked in blue.

Drainage & Waterproofing

Guideline

1 Waterproof rubberised membrane (EPDM or Sarnafil, for example) **MUST** be used when required.



Very Important:

When required, waterproof tray must be a fully bonded type & be flashed into wall reveal at correct depth for tray (dependant on frame set back) & 150mm above the top of track.

Explanation

It must be used in the following scenarios:

- Pocket door openings
- First floor or above openings
- Openings above a basement

EPDM waterproof tray installation by Minima is available at no extra cost if required.

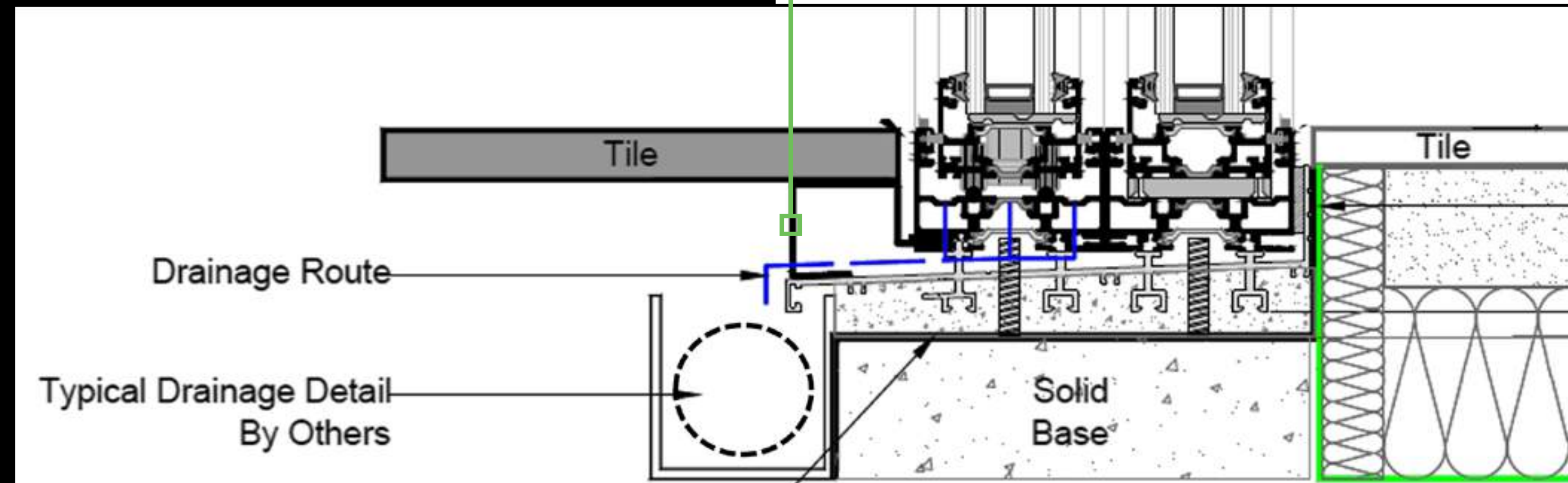
Waterproof membrane marked in red.

Drainage & Waterproofing

minima
SLIDING

Guideline

1 Tile support pieces available upon request.



Explanation

The drainage weep holes are only at certain intervals along the track, so to stop accidental filling in of drainage route with tile adhesive or mortar, you can use these tile support pieces which also cover the drainage holes.

They are not necessary for the installation and indeed most clients do not use them, but they are available if requested.

Tile support pieces marked in red.

minima
SLIDING

Finishing Details

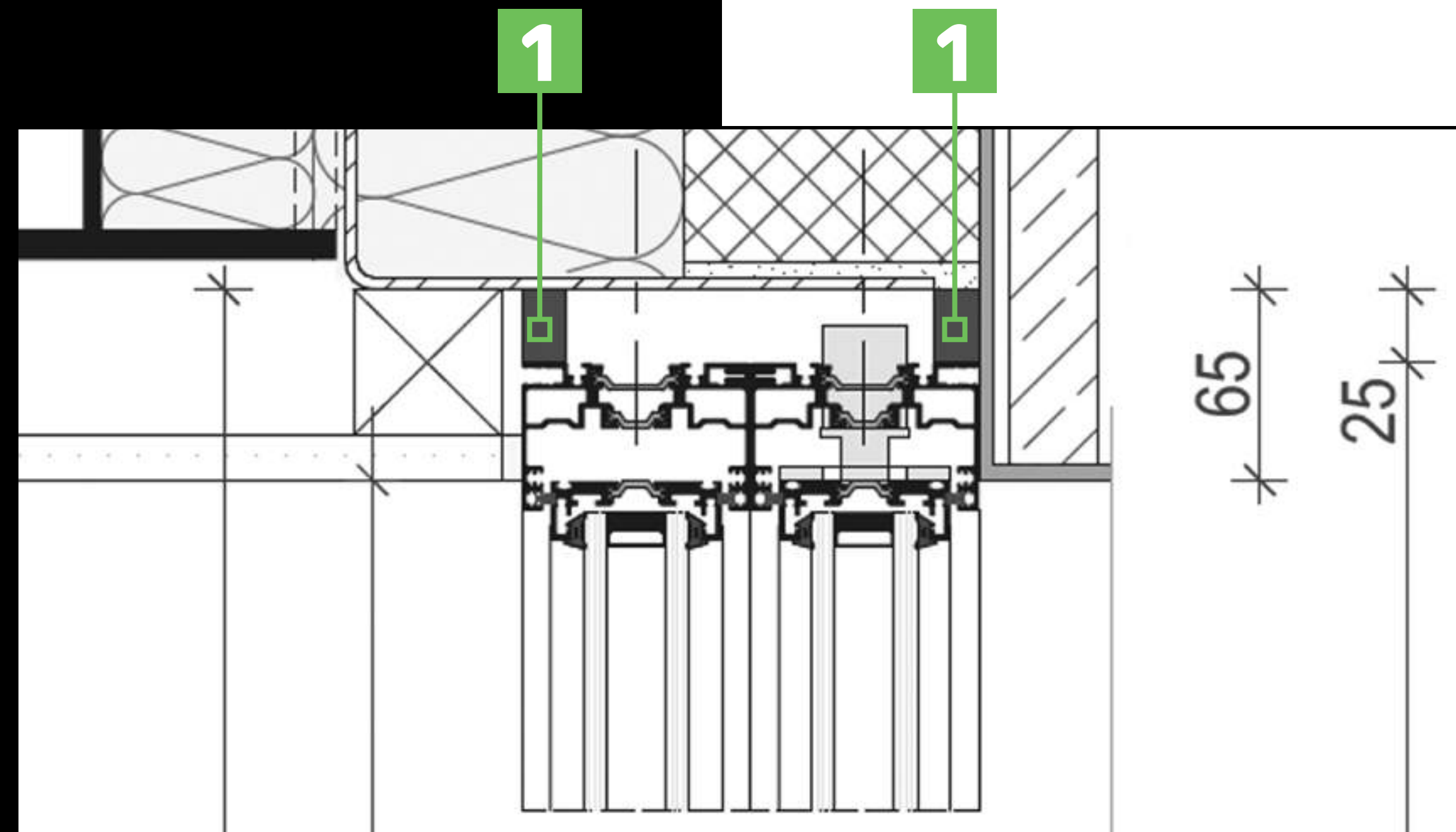


Finishing Details

minima
SLIDING

Guideline

1 At head, we install compriband internally and externally.



Explanation

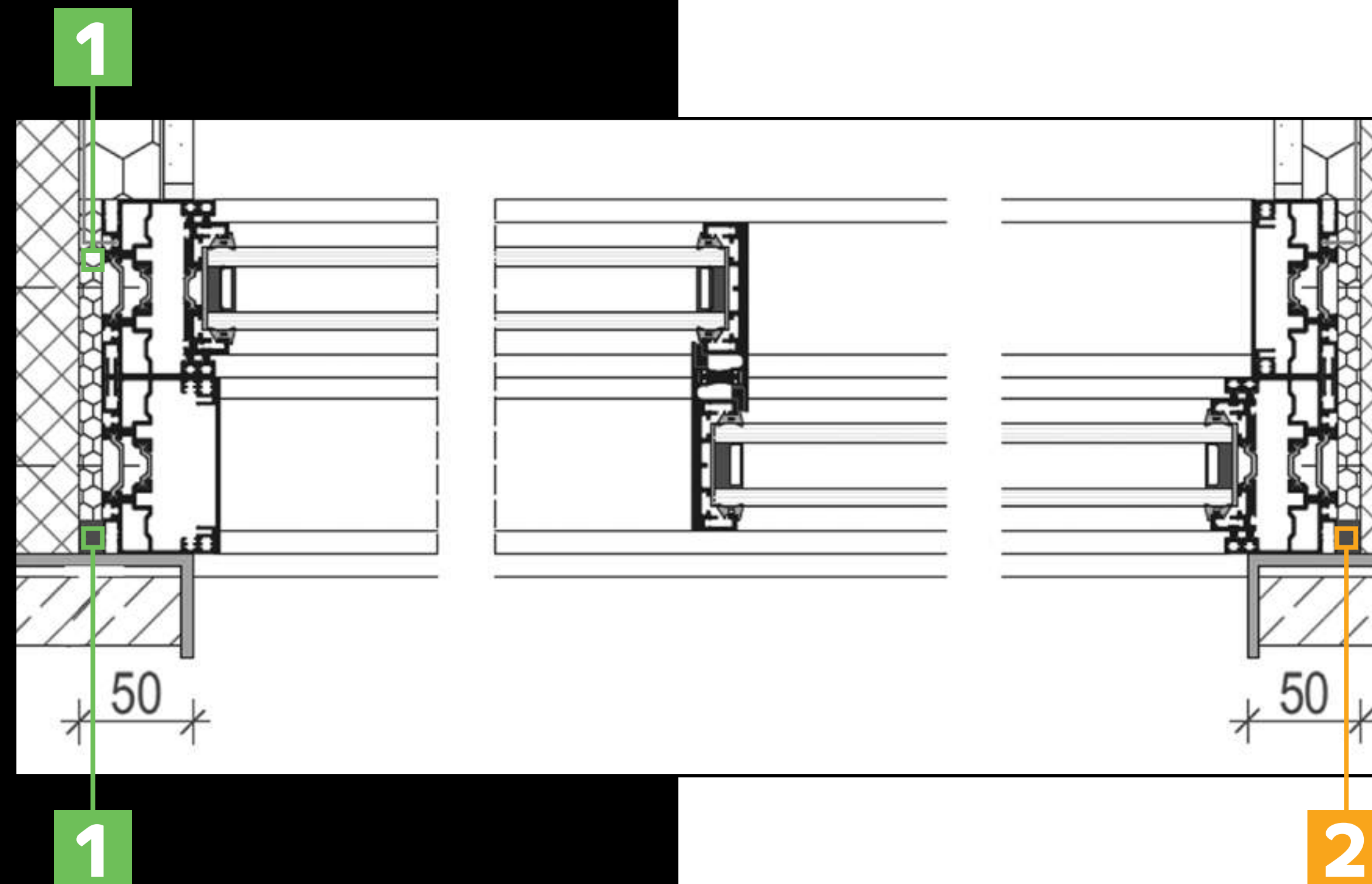
We use Illbruck TP600 Compriband impregnated foam sealant for maximum airtightness and watertightness.

Finishing Details

minima
SLIDING

Guideline

1 At jambs, we install compriband externally and expanding foam internally.



Explanation

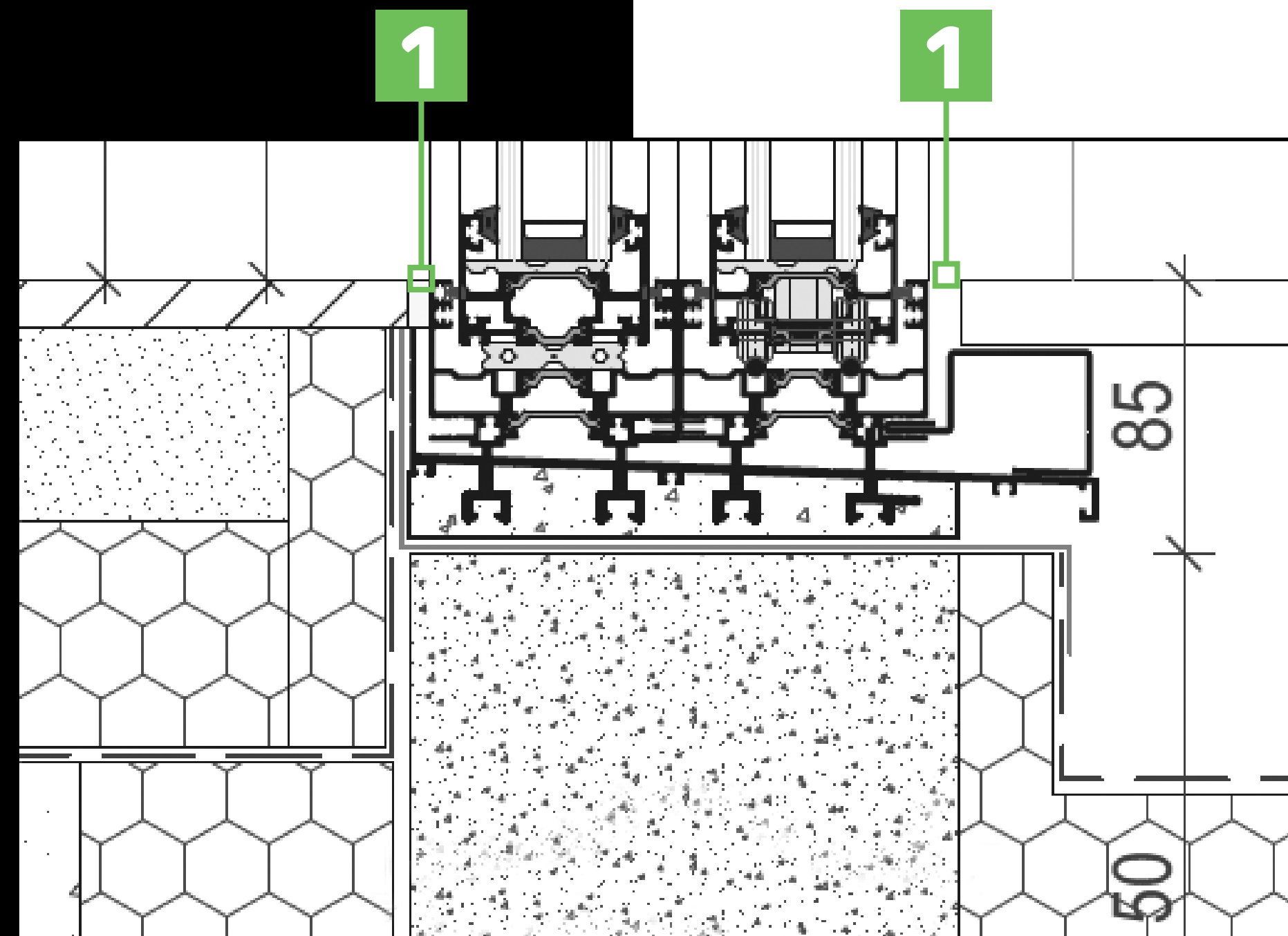
2 We use Illbruck TP600 Compriband impregnated foam sealant for maximum airtightness and watertightness.

Finishing Details

minima
SLIDING

Guideline

1 Expansion gap (5-10mm) with silicone joint recommended at track both inside and outside (please don't use grout in this join).



Explanation

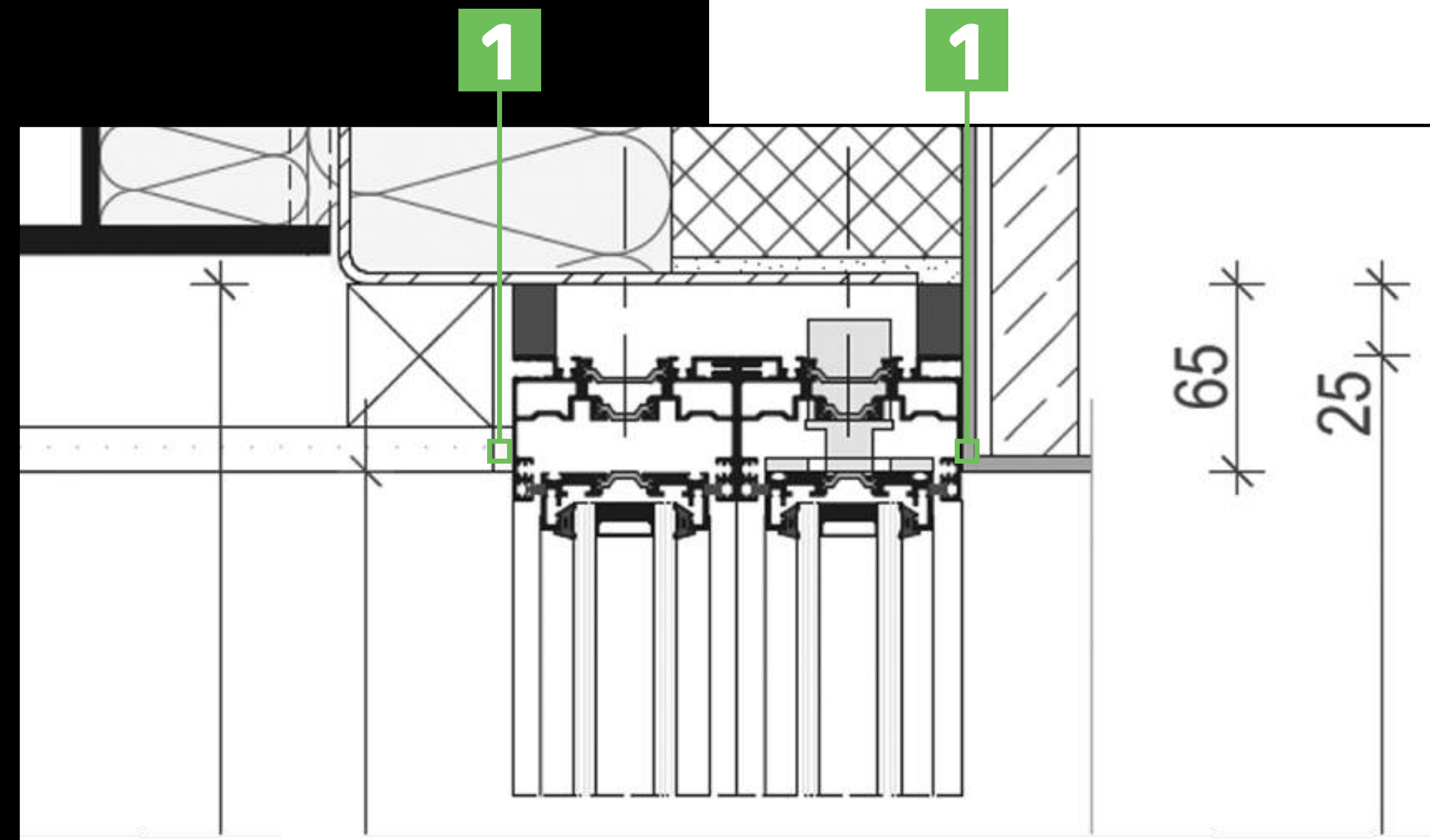
Silicone allows for some expansion, grout does not. If polished concrete finish being used, please allow at least 5-10mm as an expansion gap.

Finishing Details

minima
SLIDING

Guideline

1 We recommend you use a stop bead or mastic line where your ceiling/soffit meets our head track, so head frame can be moved up and down independently of ceiling/soffit.



Explanation

As we bow the head frame when installing/removing glass panels, if a panel ever needed changing, by using a stop bead and not running your plasterwork into our frame, that plasterwork would not get disturbed/broken when changing a unit over.

minima
SLIDING

minimasliding.co.uk